

温馨提示：本宣传册材料提供的产品、款式、参数会因产品的升级而发生变更，恕不另行通知，购买时请参照实物。  
Kind tips: The products, styles and parameters provided in this brochure will be changed due to product upgrades without prior notice. Please refer to the actual product when purchasing.



## 广州奥瑞奥科技有限公司

GUANGZHOU ORIO TECHNOLOGY CO., LTD.

智造商业展示新标杆  
REDEFINING EXCELLENCE IN SMART RETAIL DISPLAYS

广州奥瑞奥科技有限公司 / 佛山奥瑞奥科技有限公司

电话 (Tel) : 020 - 32200223

邮箱 (E-mail) : logan@chinaorio.com

邮编 (P.C) : 511340 网站 (Web) : www.chinaorio.com

地址 (Add) : 广东省广州市增城区新塘镇环城路407号

No.407, Huancheng Road, Xintang Town, Zengcheng District, GZ, China,511340



公司简介



广州奥瑞奥科技有限公司成立于 2018 年，是一家集研发、生产、售后、仓储、物流于一体的超级工厂。公司荣获“国家高新技术企业”及“专精特新中小企业”认证，在商业展示行业遥遥领先，稳居行业前列。

总部坐落于 48000m<sup>2</sup> 现代化智造基地，拥有 300 余人专业团队，全产业链布局驱动技术创新与质量升级。服务覆盖冷链、零售、饮料等多行业头部品牌：为海尔、美的、海信等冷链巨头一级供应商；为美宜佳、赵一鸣、罗森打造创新陈列方案；服务农夫山泉、可口可乐、娃哈哈；与 Walmart、Costco、7-11 等海外客户长期合作。

公司设注塑、挤出、五金、搁架、亚克力、磁铁、组装车间及仓储物流中心，配套研发、质量、销售、市场中心及 ERP 系统，实现产品高效生产与全流程品质护航。

Guangzhou ORIO Technology Co., Ltd. was founded in 2018. As a full-service super factory integrating R&D, production, after-sales, warehousing and logistics, the company holds certifications as a National High-Tech Enterprise and National Specialized, Sophisticated, Distinctive and Innovative Small and Medium Enterprise, maintaining a commanding lead and firmly securing a top-tier position within the commercial display industry.

Headquartered within a 48,000-square-meter modern intelligent manufacturing facility, the company is supported by a professional team of over 300 employees. Its end-to-end industrial chain layout serves as a powerful engine for driving technological innovation and quality enhancement. Our services cater to leading brands across diverse sectors—including cold chain logistics, retail, and beverages—serving as a Tier-1 supplier for cold chain giants such as Haier, Media, and Hi sense; crafting innovative display solutions for retail chains like Meiyijia, Zhao yiming, and Lawson; providing services to beverage leaders such as Nongfu Spring, Coca-Cola, and Wahaha; and maintaining long-term cooperative partnerships with international clients including Walmart, Costco, and 7-Eleven.

The company operates dedicated workshops for injection molding, extrusion, hardware, shelving systems, acrylic processing, and magnet, alongside a centralized assembly facility and a warehousing and logistics hub. These operations are fully supported by integrated R&D, Quality Assurance, Sales, and Marketing centers, as well as a comprehensive ERP system, ensuring highly efficient product manufacturing and robust quality assurance throughout the entire production life cycle.



55 台

注塑机高效运作  
Injection Molding Machines  
Operating Efficiently

20 台

挤出机精准作业  
Extrude Precision Operation

20 台

高端机加工设备保障精细化  
High-Quality Machining  
Equipment Ensuring Precision

30 台

亚克力加工设备支撑定制化需求  
Acrylic Processing Equipment  
Supporting Customization

120 台

碰焊、冲压、折弯设备全覆盖  
Comprehensive Coverage with  
Molding, Cold Pressing, and  
Bending Equipment

20 条

自动化生产线提升  
组装效率  
Automated Production Lines  
Enhancing Assembly Efficiency

3 条

磁铁生产线专项生产  
Magnet Production Lines for  
Specialized Production

10 条

10条自动化包装线  
实现快速交付  
10 Automated Packaging  
Lines Enabling Rapid Delivery

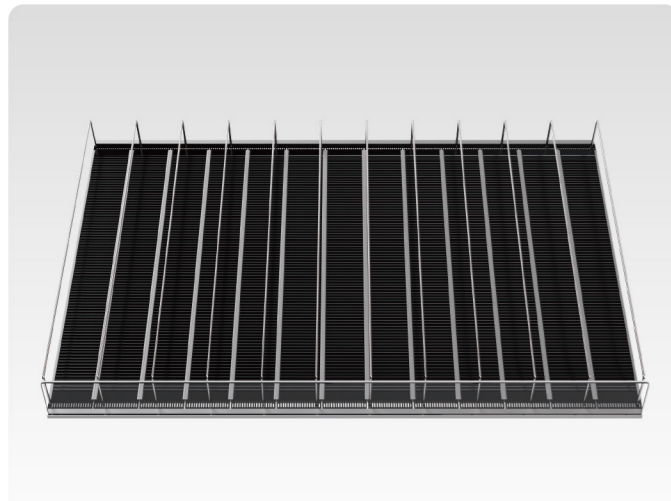
感谢我们正在服务的合作伙伴

We extend our gratitude to the partners we are currently serving.

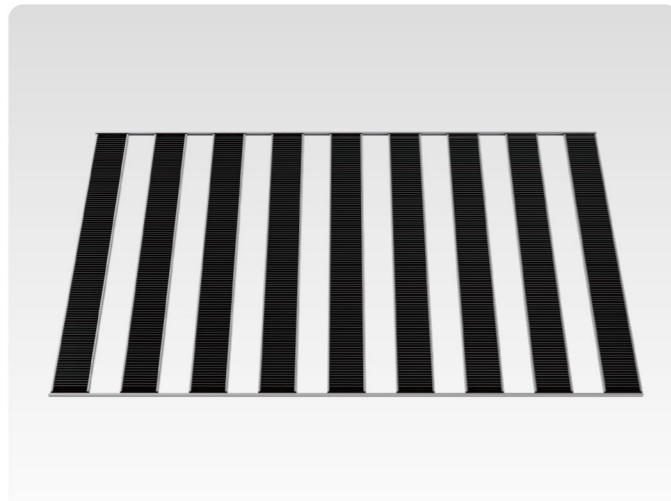
· 仅展示部分企业，排名不分先后  
· Only a selection of companies are displayed; the order does not imply any ranking.

2000<sup>+</sup>

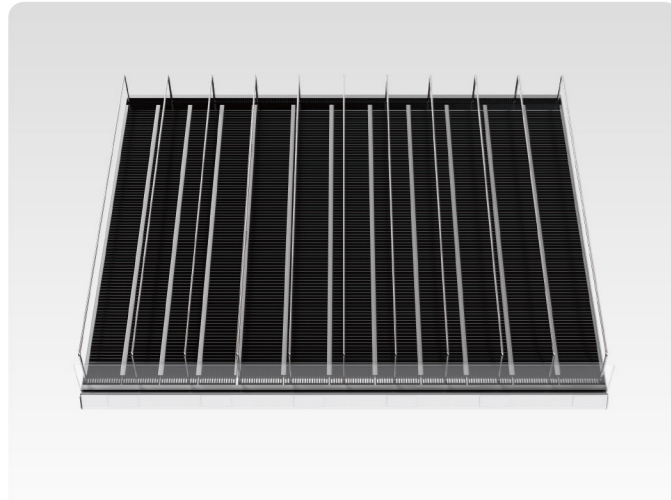




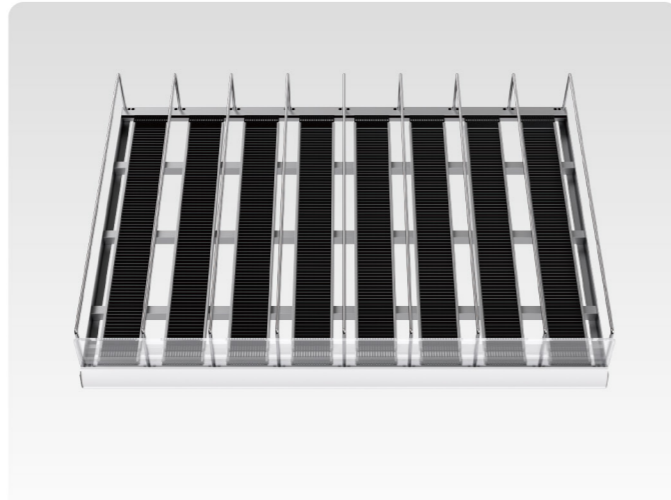
自重滑道 - 通用版  
Gravity Roller Shelf - Universal Version



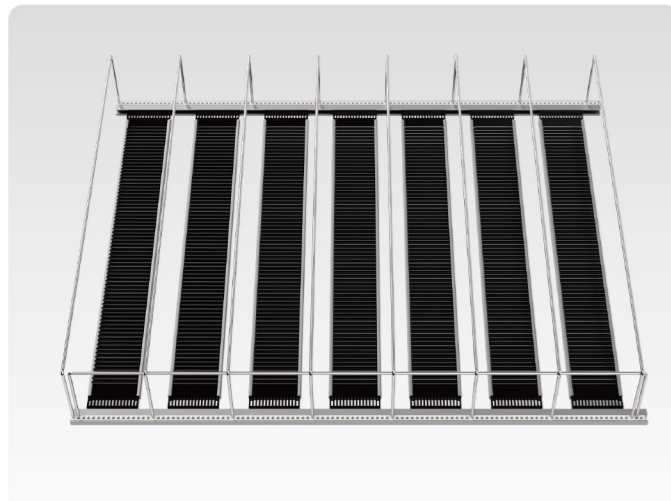
自重滑道 - 专业版  
Gravity Roller Shelf - Special Version



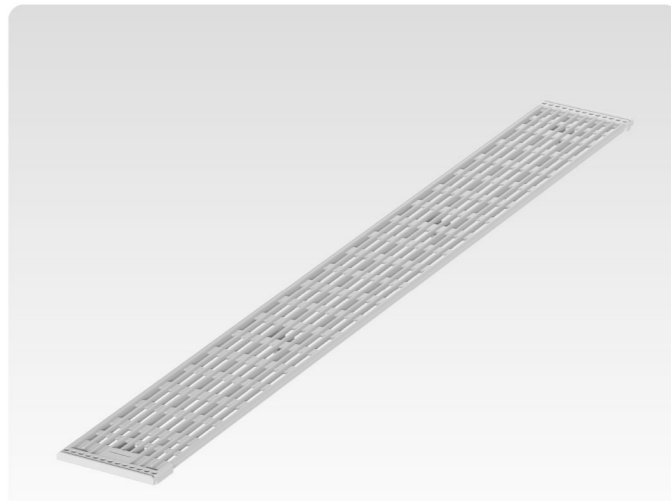
滑道层架 - 通用版  
Shelving System - Universal Version



滑道层架 - 专业版  
Shelving System - Special Version



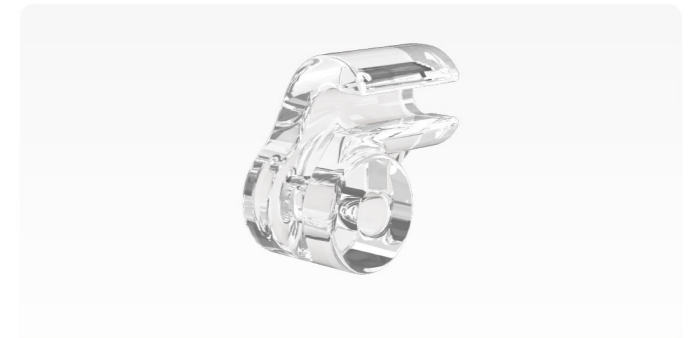
自重滑道 - 插座版  
Gravity Roller Shelf - Simple Version



滑板 - 60  
60 - Roller Shelf



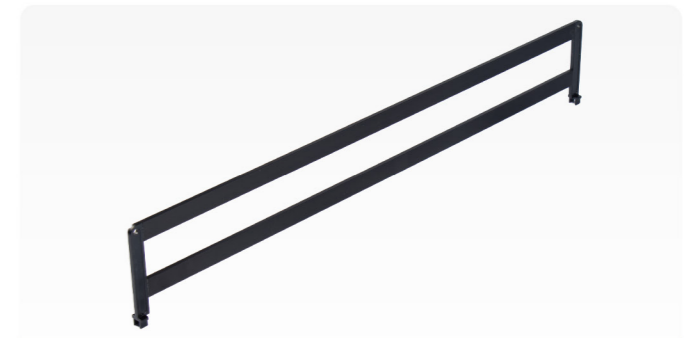
不锈钢 3.0 分隔线  
Stainless Steel Wire Divider 3.0



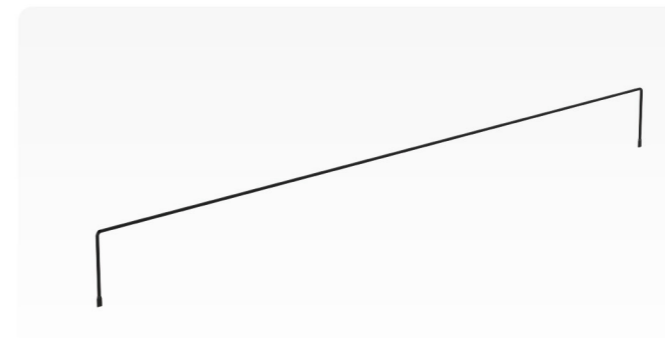
前挡线左中右卡  
Front Bumper Clips (Left, Centre And Right)



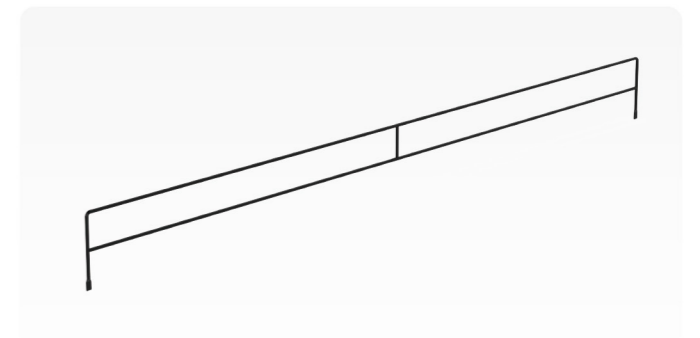
铝合金分隔板  
Aluminum Alloy Divider



黑色双脚分隔板 - 25/50/80  
Black Divider - Two Pins - H25/50/80mm



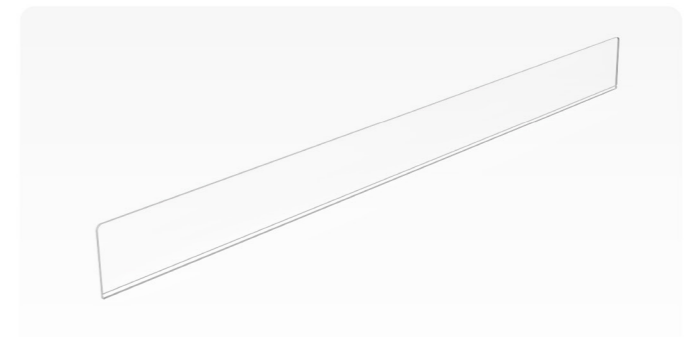
喷涂铁线 4.0 / 5.0 - 单层  
4.0/5.0mm Iron-Plated Wire - Single Layer



喷涂铁线 4.0 / 5.0 - 双层  
4.0/5.0mm Iron-Plated Wire - Double Layer



H型工字架  
H-shaped Bracket



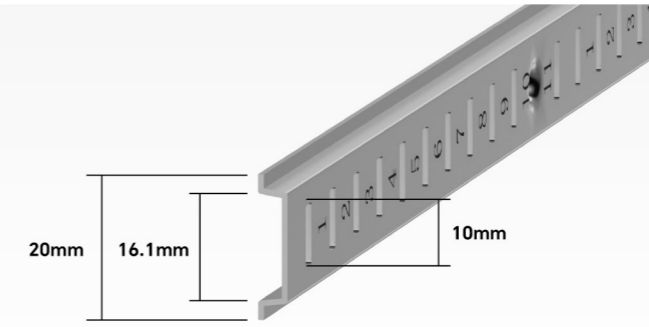
前挡板  
Front Panel



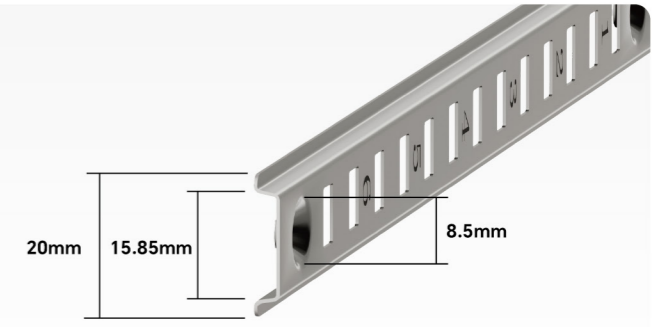
后补式滑道层架 - 铝款  
Rear Replenishment Gravity Roller Shelving System - Aluminum



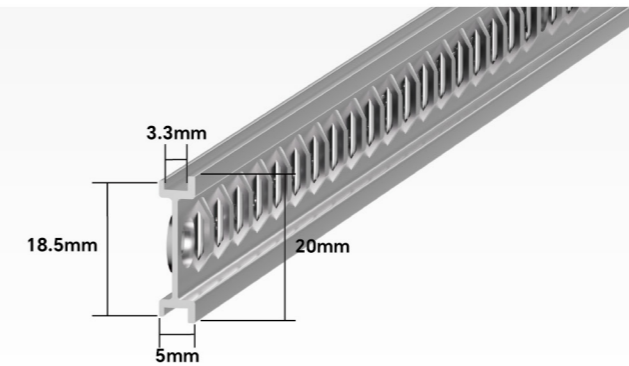
后补式滑道层架 - 铁款  
Rear Replenishment Gravity Roller Shelving System - Iron



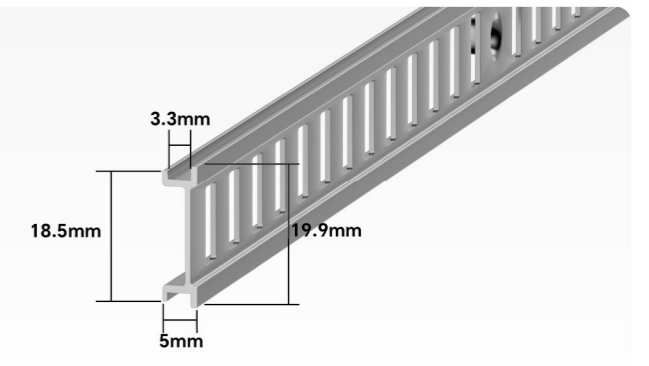
支撑条20x4.1- 铝款  
Din Rail - Aluminum - 20x4.1



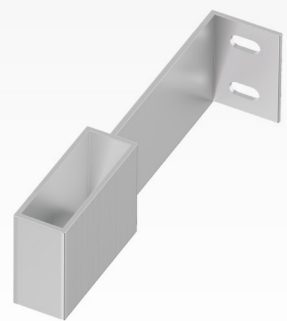
支撑条20x4.1- 不锈钢款  
Din Rail - Stainless Steel - 20x4.1



支撑条20x5  
Din Rail-20x5



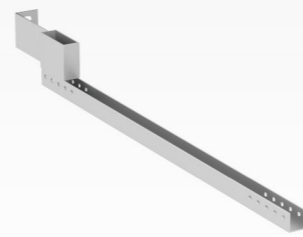
支撑条20x5B  
Din Rail-20x5B



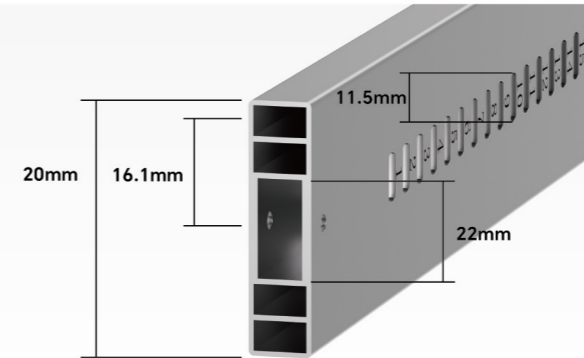
后补式滑道层架 - 铝款立柱套  
Aluminum Pilaster Fixer Parts



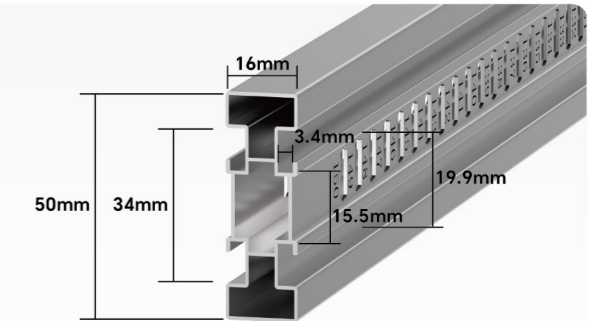
后补式滑道层架 - 铁款立柱套  
Iron Pilaster Fixer Parts



连接杆 - 铝款配件  
Connecting Rod - Aluminum Accessory



立柱 56x14  
Aluminum Uprights 56x14



立柱 - C款  
Aluminum Uprights - Type C



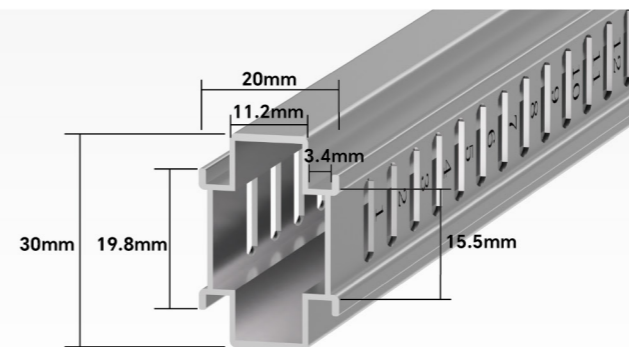
顶层盖 - 铝款配件  
Top Cover- Aluminum Accessory



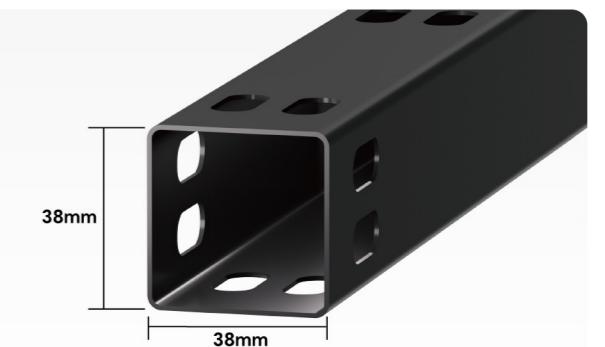
顶层框 - 铁款配件  
Top Frame- Iron Accessory



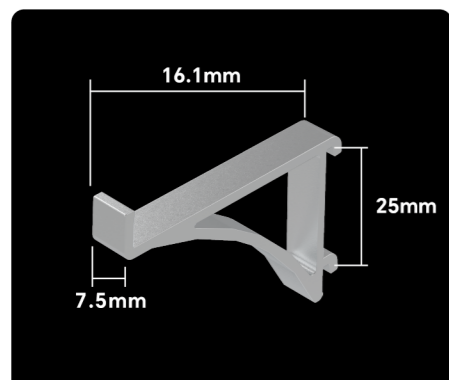
自动挂钩-C款  
Automatic Hook - C



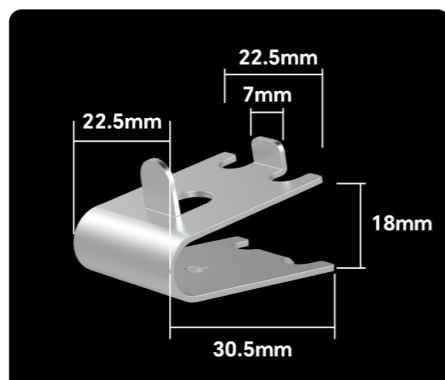
立柱 - D款  
Aluminum Uprights - Type D



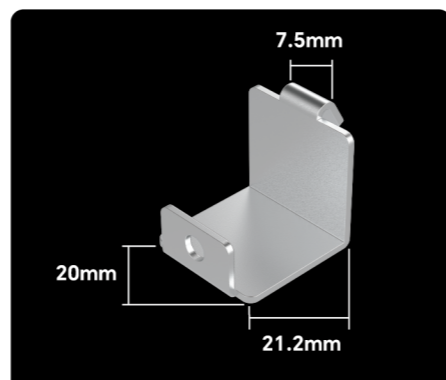
方管38x38  
Square Tube 38x38



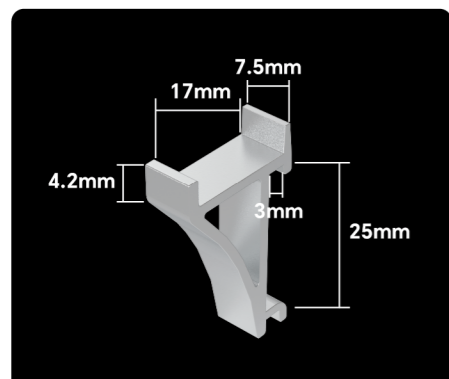
挂钩 2号 / Hook-No.2



挂钩 3号 / Hook-No.3



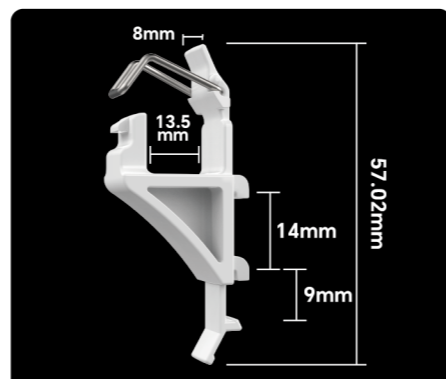
挂钩 4号 / Hook-No.4



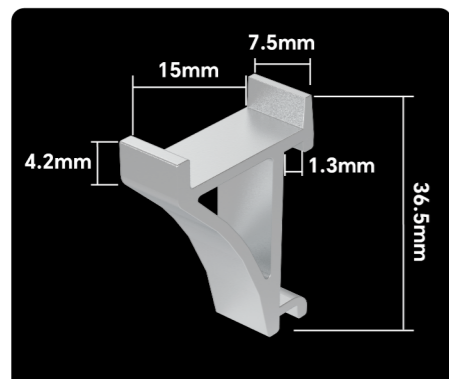
挂钩 5号 / Hook-No.5



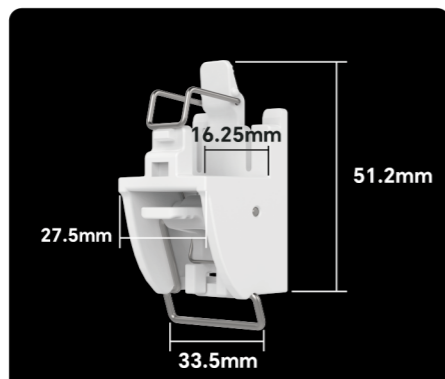
挂钩 6号 / Hook-No.6



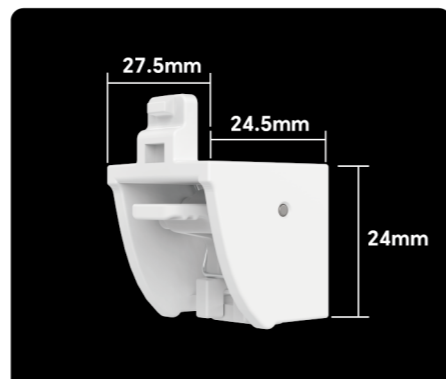
挂钩 7号 / Hook-No.7



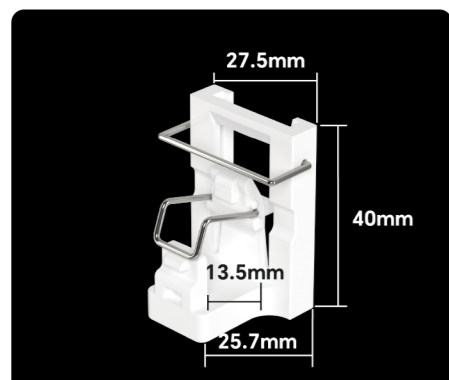
挂钩 8号 / Hook-No.8



自动挂钩-B款 / Automatic Hook - B

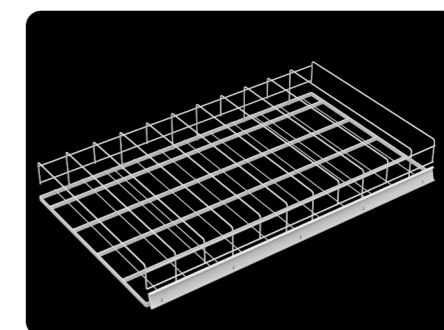
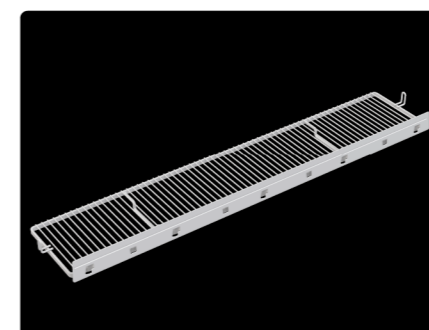
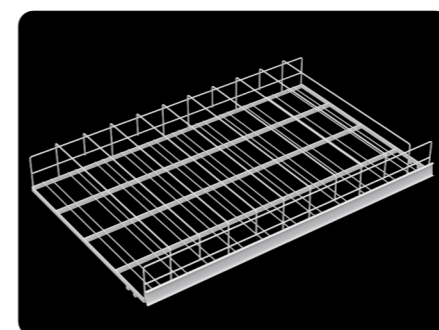
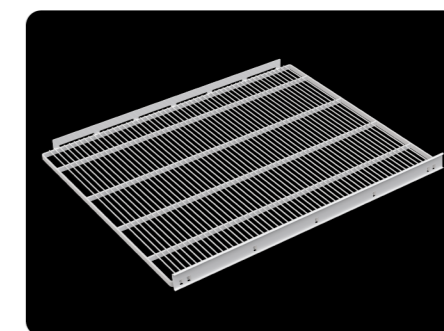
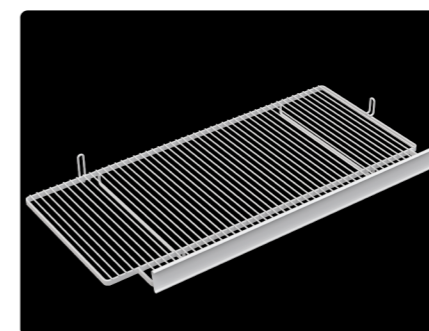
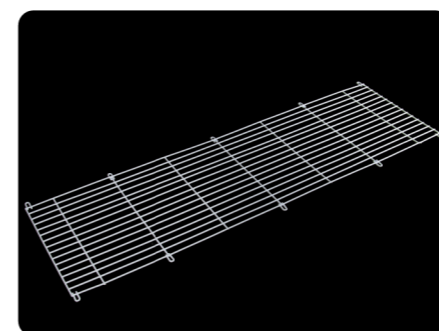
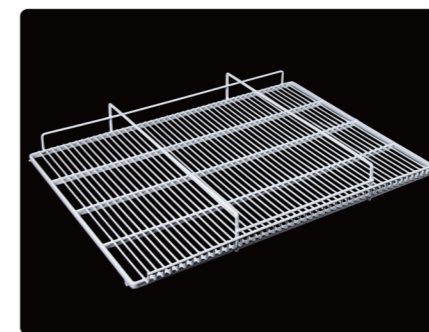
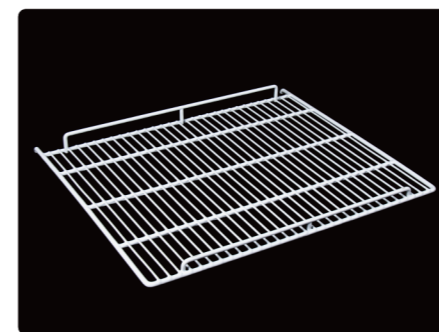
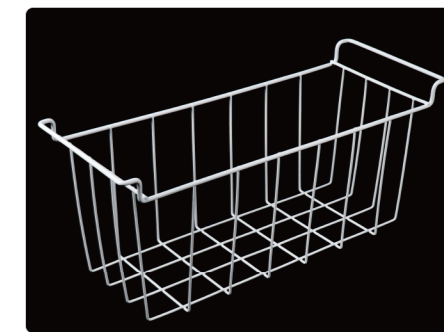
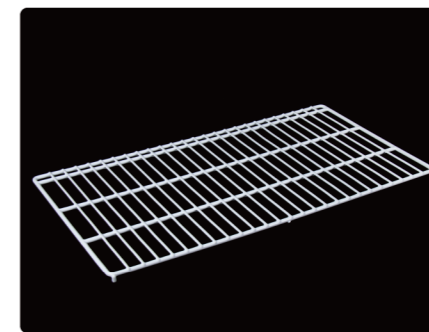
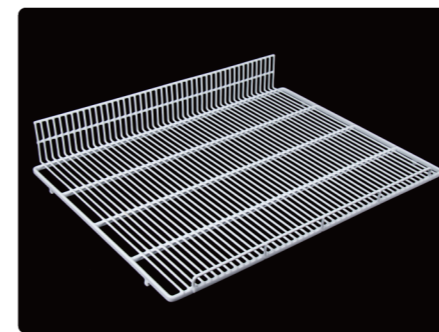
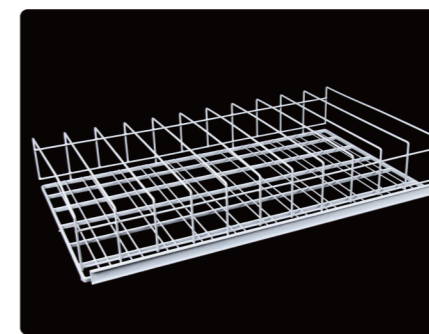
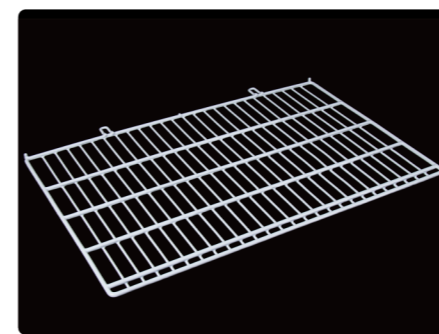


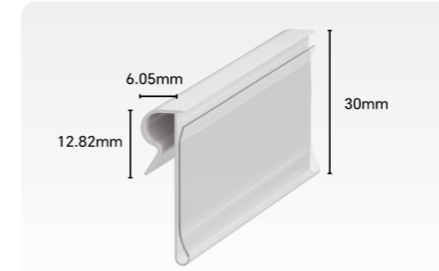
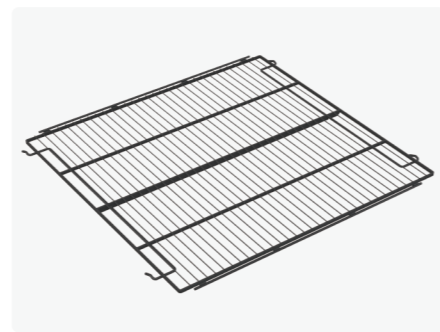
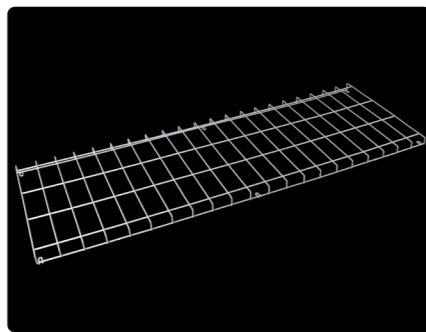
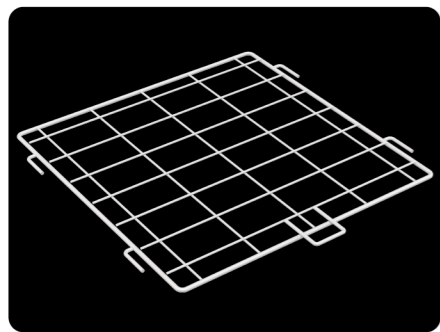
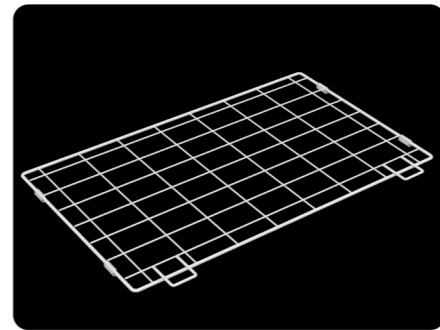
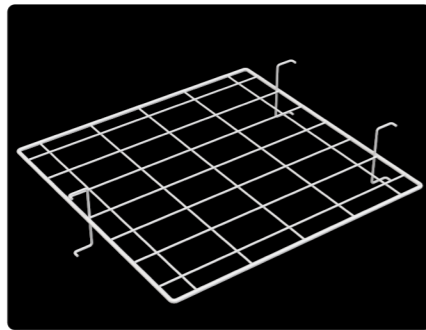
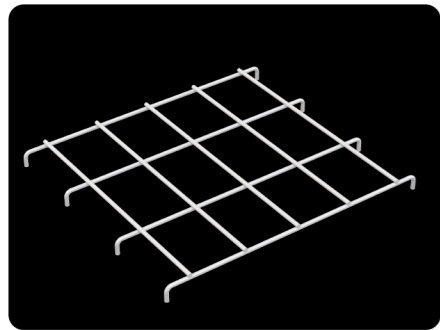
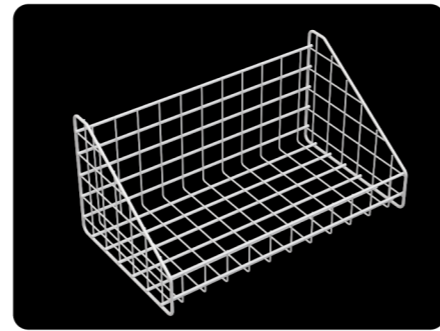
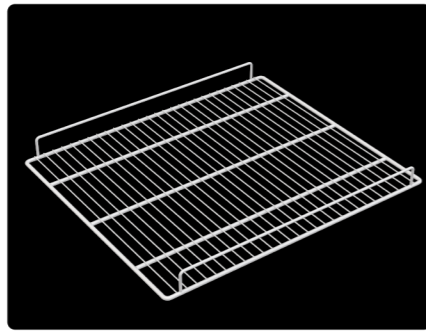
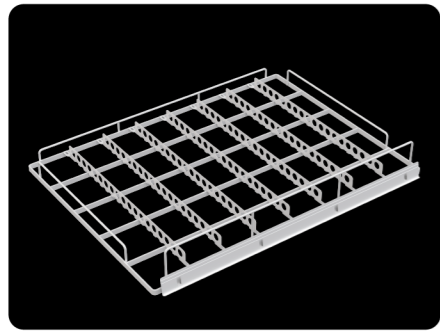
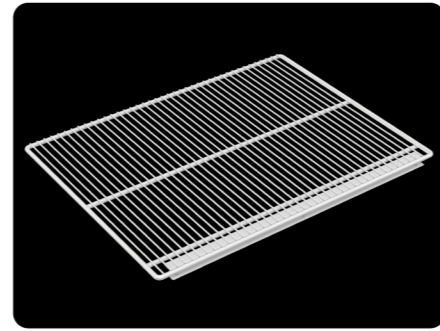
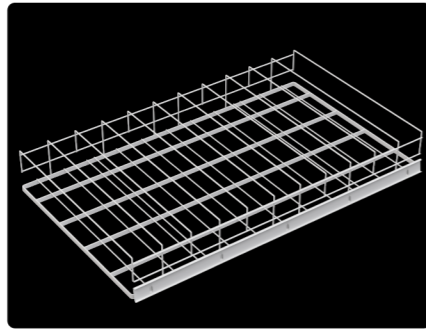
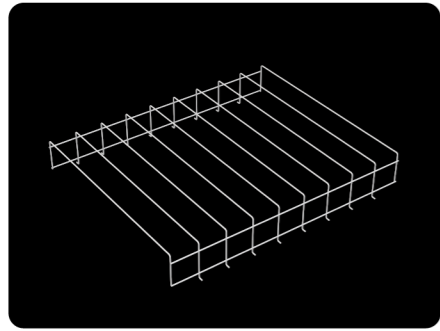
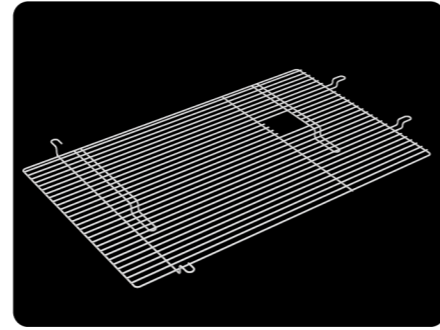
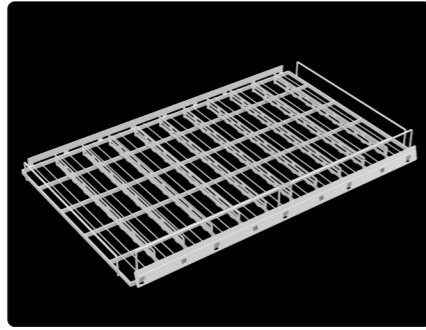
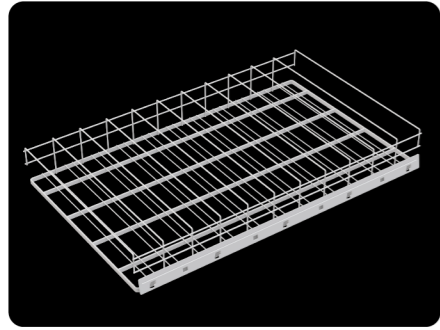
自动挂钩-C款 / Automatic Hook - C



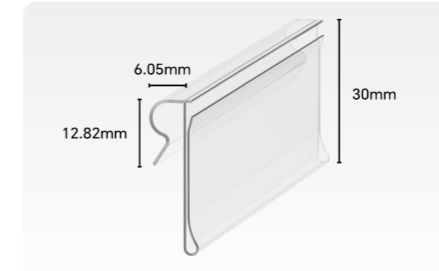
自动挂钩-D款 / Automatic Hook - D

更多新品正在研发中...  
More new products are currently in development...

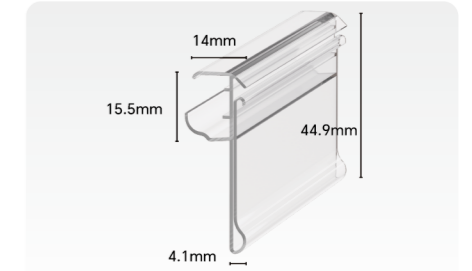




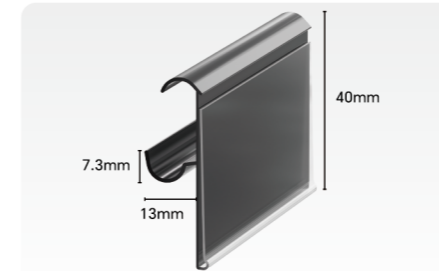
标价条上卡U30 / Price Strip Top Mount Clip U30



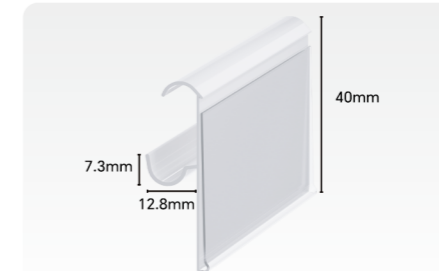
标价条上卡U30B / Price Strip Top Mount Clip U30B



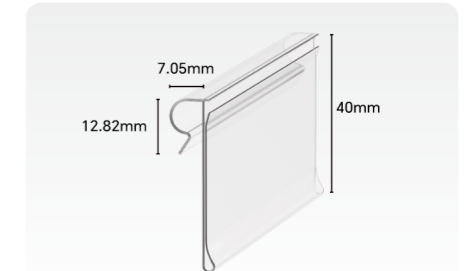
标价条上卡C40 / Price Strip Top Mount Clip C40



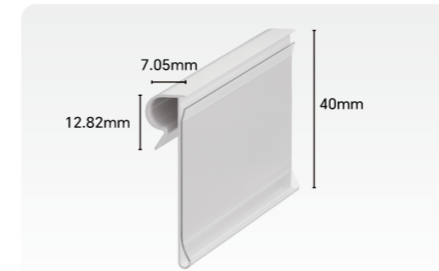
标价条上卡C40B / Price Strip Top Mount Clip C40B



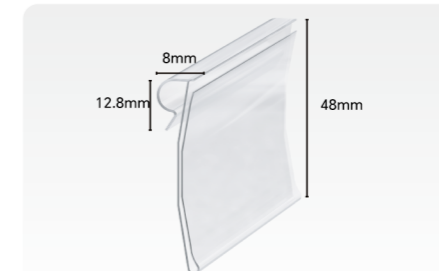
标价条上卡C40C / Price Strip Top Mount Clip C40D



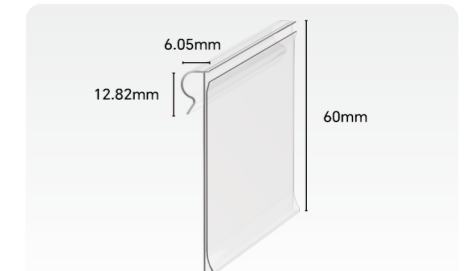
标价条上卡U40 / Price Strip Top Mount Clip U40



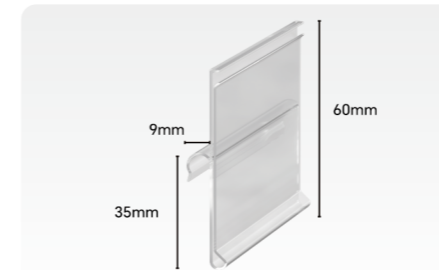
标价条上卡U40B / Price Strip Top Mount Clip U40B



标价条上卡U48 / Price Strip Top Mount Clip U48



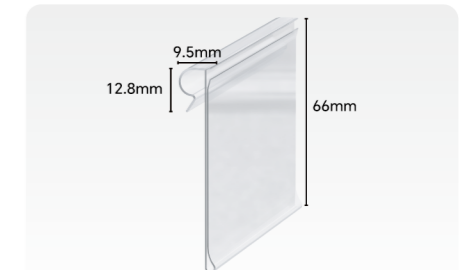
标价条上卡U60 / Price Strip Top Mount Clip U60



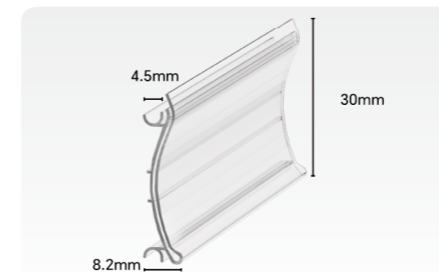
标价条上卡U60B / Price Strip Top Mount Clip U60B



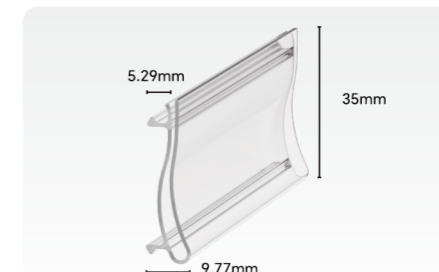
标价条上卡U65 / Price Strip Top Mount Clip U65



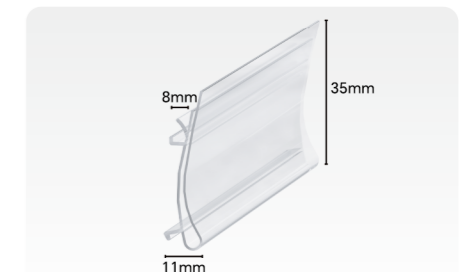
标价条上卡U66 / Price Strip Top Mount Clip U66



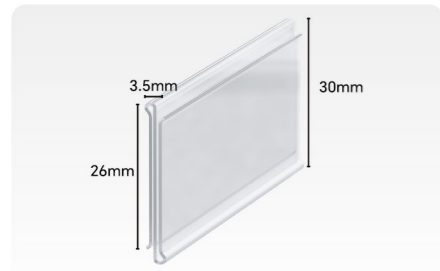
标价条内卡K30 / Price Strip Inner Clip K30



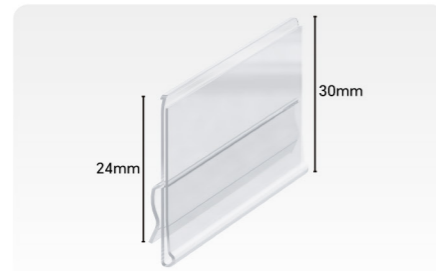
标价条内卡K30B / Price Strip Inner Clip K30B



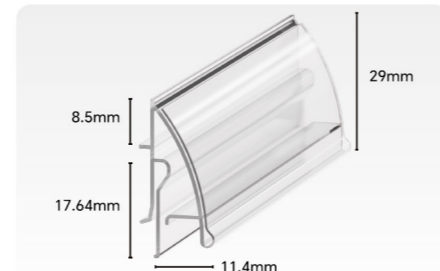
标价条内卡K35 / Price Strip Inner Clip K35



标价条直插V30 / Price Label Strip Direct Insert V30



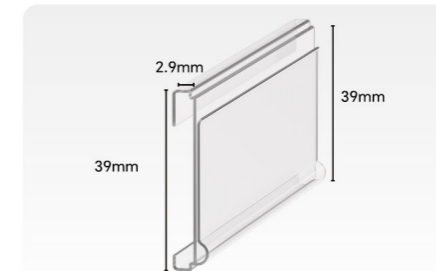
标价条直插K30 / Price Label Strip Direct Insert K30



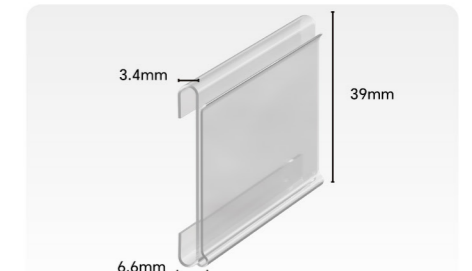
标价条直插D29 / Price Label Strip Direct Insert D29



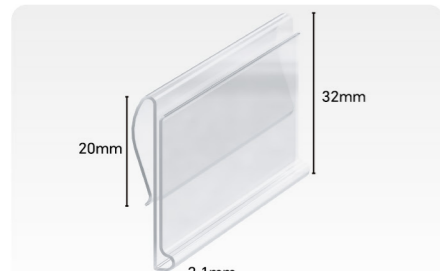
标价条外卡C64 / Price Strip Outer Clip C64



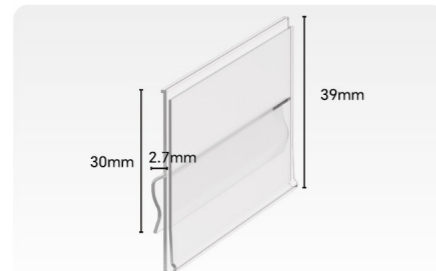
标价条外卡C39 / Price Strip Outer Clip C39



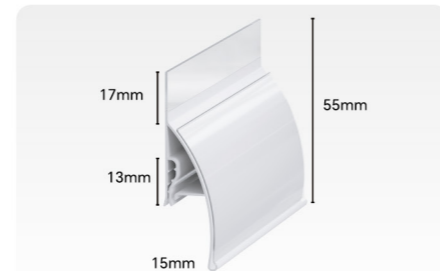
标价条外卡C39B / Price Strip Outer Clip C39B



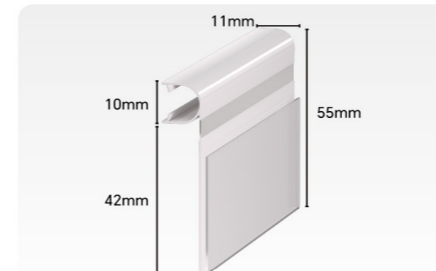
标价条直插K32 / Price Label Strip Direct Insert K32



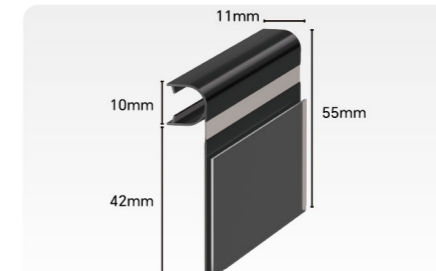
标价条直插K39 / Price Label Strip Direct Insert K39



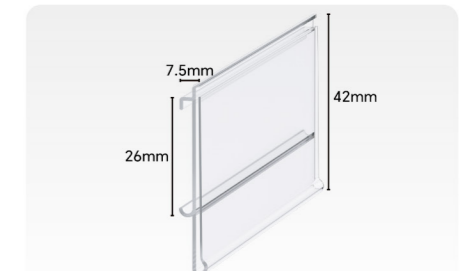
标价条直插D55 / Price Label Strip Direct Insert D55



标价条外卡C55 / Price Strip Outer Clip C55



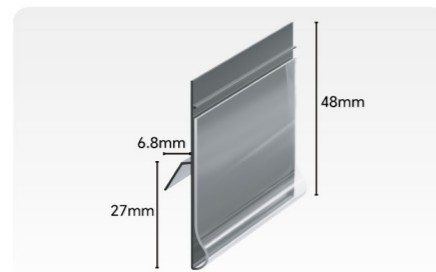
标价条外卡C55B / Price Strip Outer Clip C55B



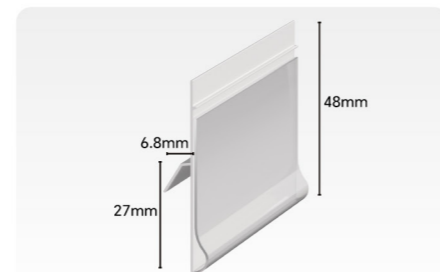
标价条外卡K42 / Price Strip Outer Clip K42



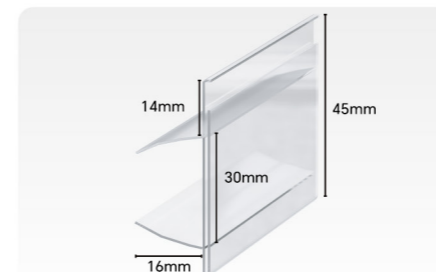
标价条直插D42 / Price Label Strip Direct Insert



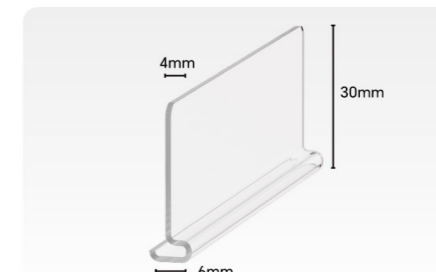
标价条直插K48 / Price Label Strip Direct Insert K48



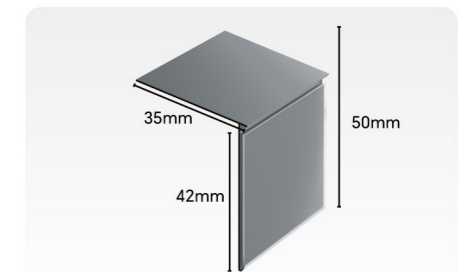
标价条直插K48B / Price Label Strip Direct Insert K48B



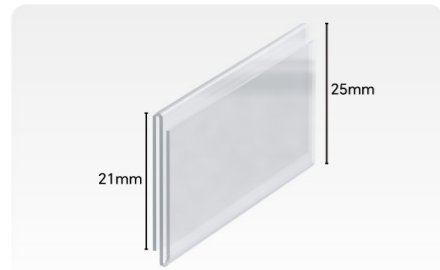
标价条外卡K45 / Price Strip Outer Clip K45



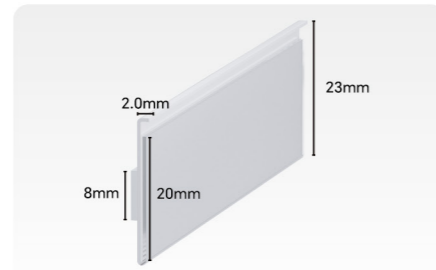
标价条下卡L30 / lower label strip card L30



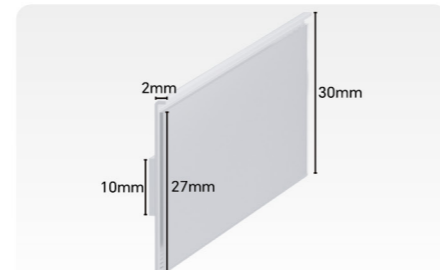
标价条上贴L50 / Price Strip Top Mount Adhesive L50



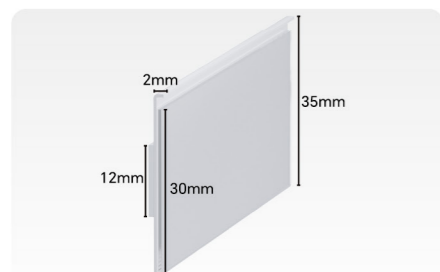
标价条直插V25 / Price Label Strip Direct Insert V25



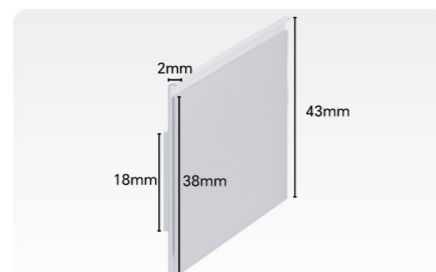
标价条粘贴式V23 / Price Strip Self-Adhesive TypeV23



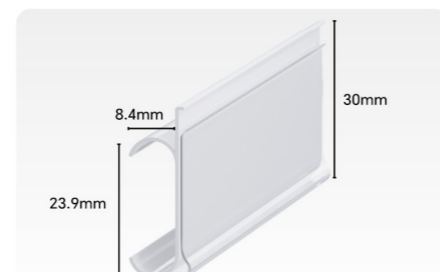
标价条粘贴式V30 / Price Strip Self-Adhesive TypeV30



标价条粘贴式V35 / Price Strip Self-Adhesive TypeV35



标价条粘贴式V43 / Price Strip Self-Adhesive TypeV43



标价条外卡C30 / Price Strip Outer Clip C30

## Shelving And Accessories 货架及配件类



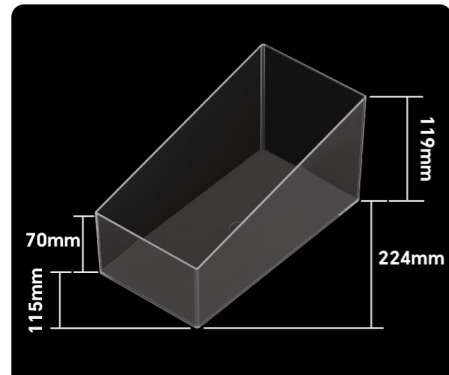
美式货架 / American-style Shelving



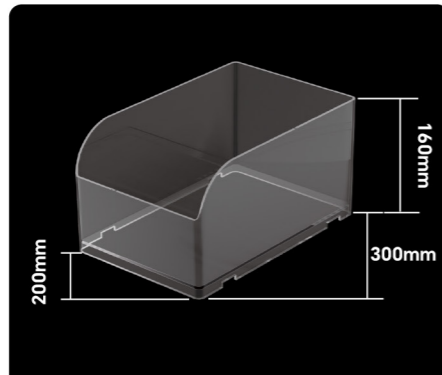
货架挂钩 - 1号 / Shelf Hook - No. 1



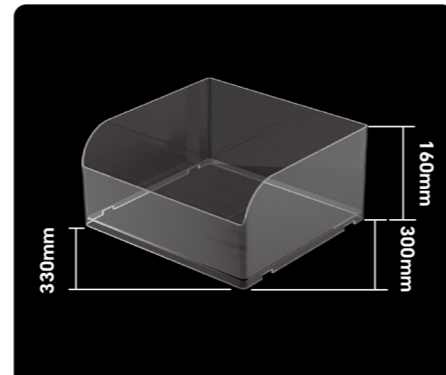
挂钩价格牌 / Hang-on price tag



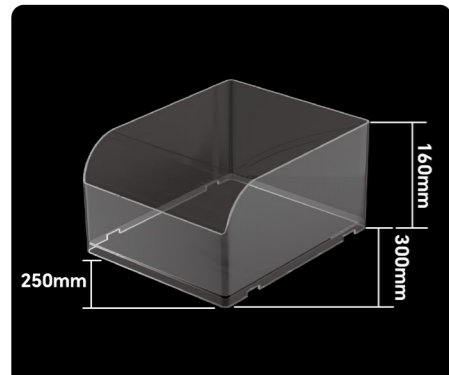
零食盒 1号 / Snack Box - No.1



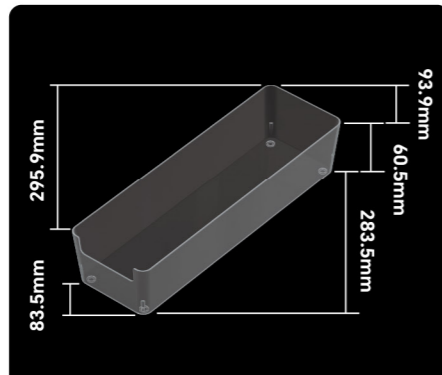
零食盒 2号 / Snack Box - No.2



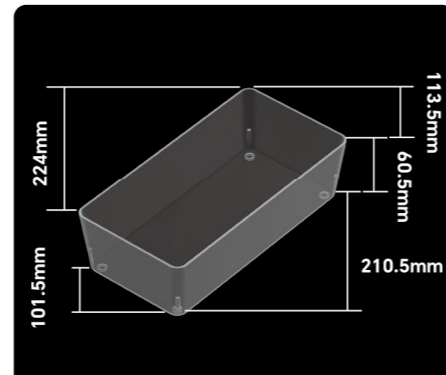
零食盒 3号 / Snack Box - No.3



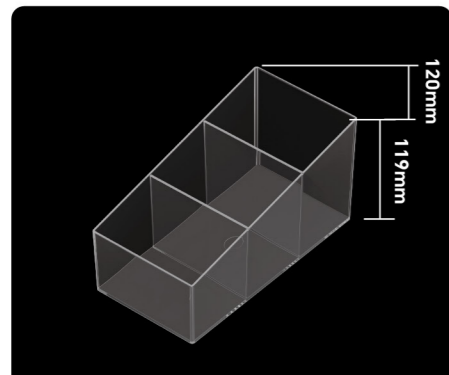
零食盒 4号 / Snack Box - No.4



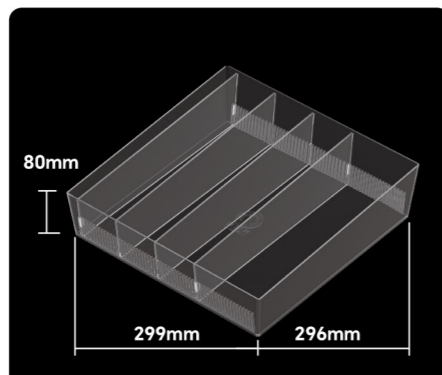
零食盒 5号 / Snack Box - No.5



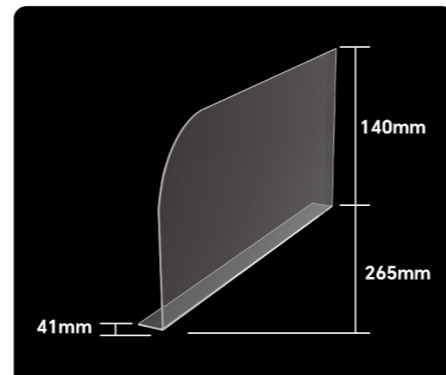
零食盒 6号 / Snack Box - No.6



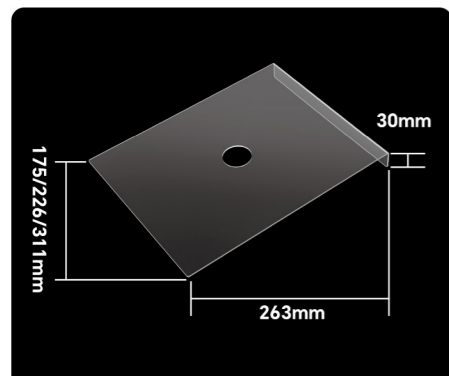
零食盒 7号 / Snack Box - No.7



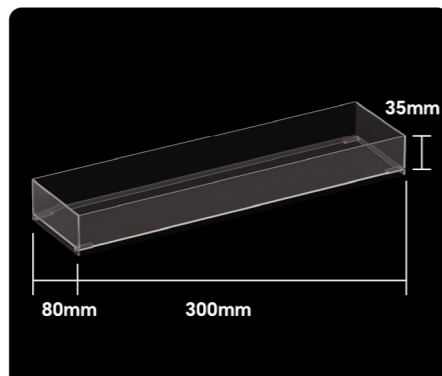
零食盒 8号 / Snack Box - No.7



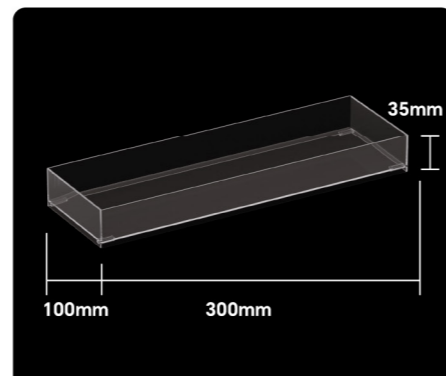
格斗分隔板 / Divider (Used For Snack Box)



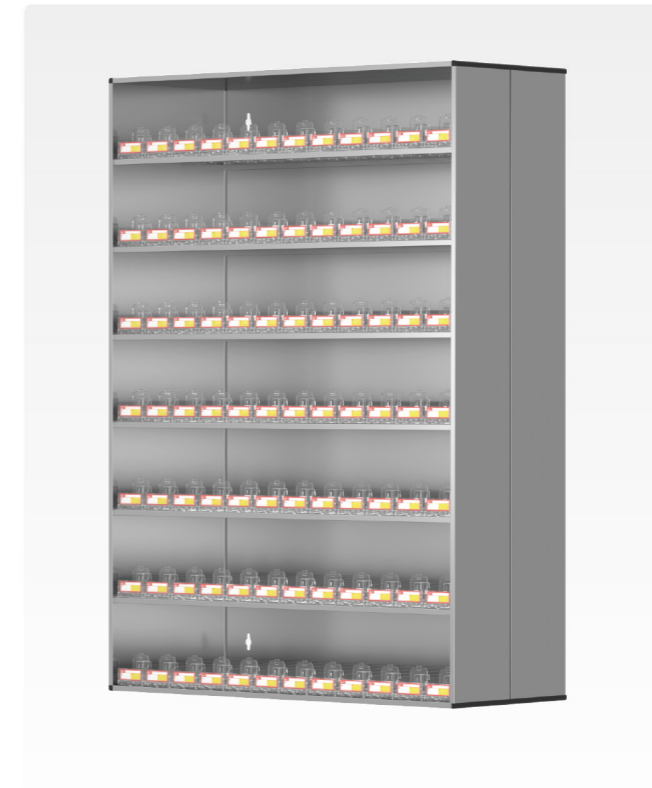
假底垫高架 / Snack Box False Bottom



方盒 A款 / Square Box - A



方盒 B款 / Square Box - B



铁款烟柜 / Iron Filing Cabinet



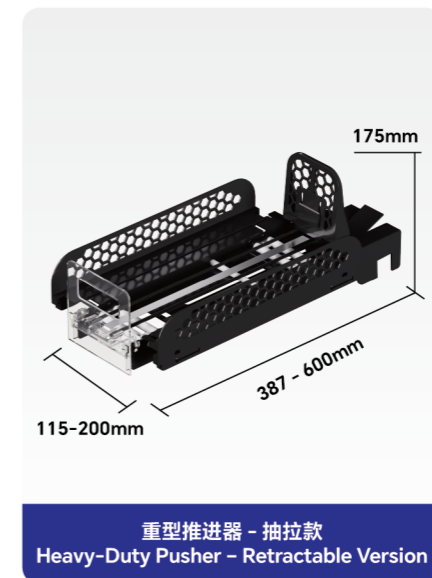
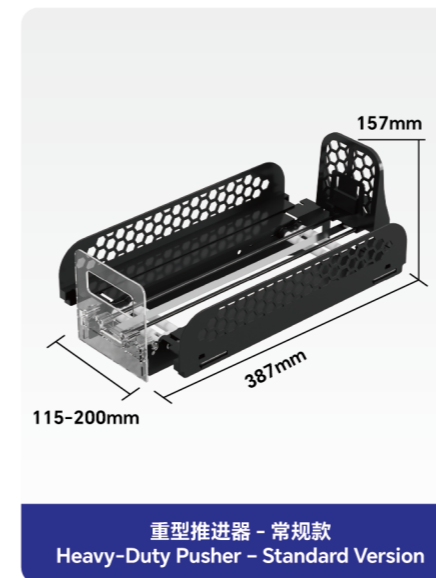
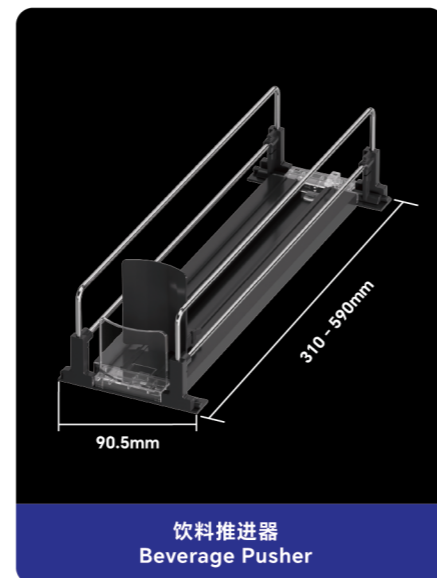
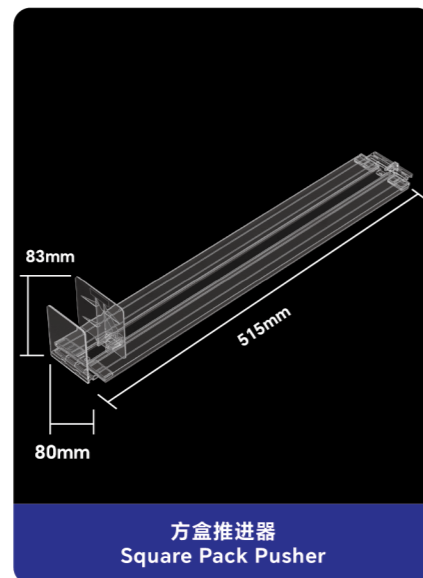
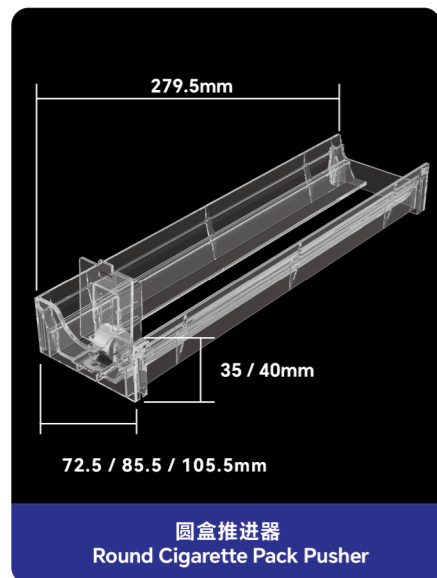
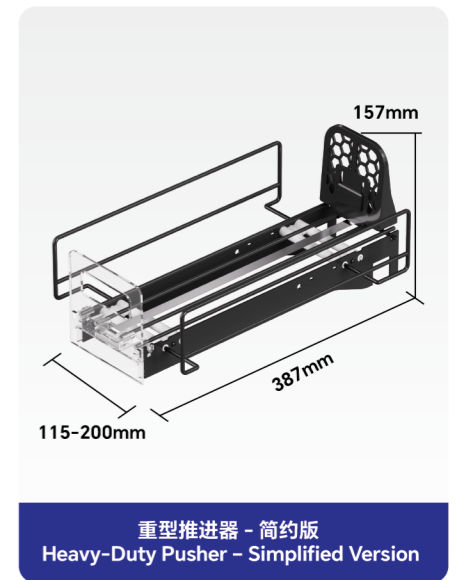
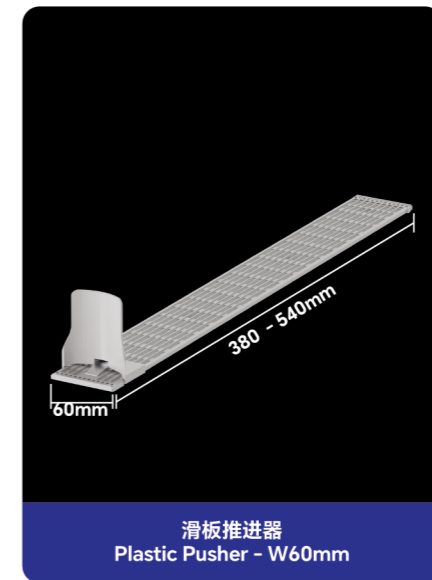
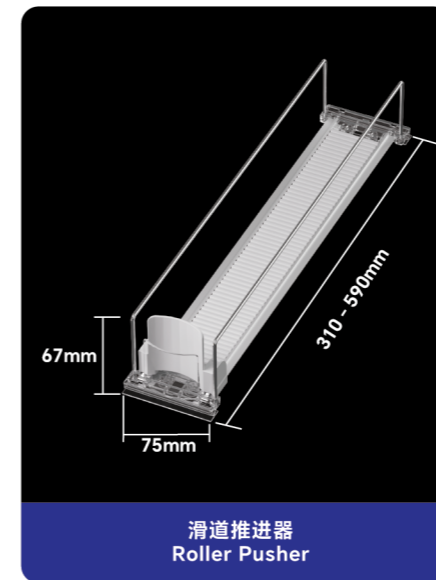
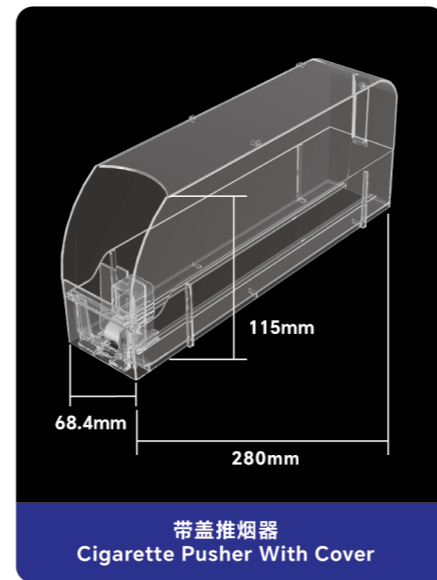
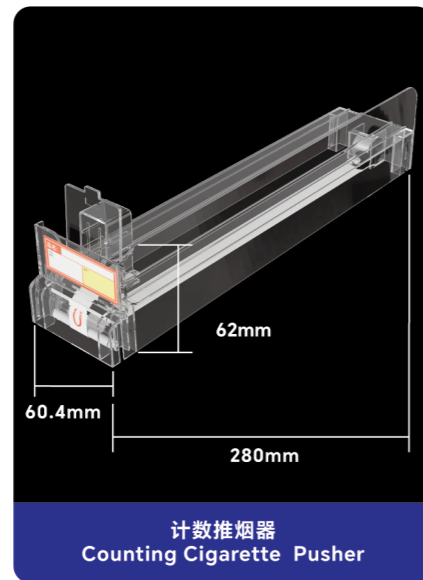
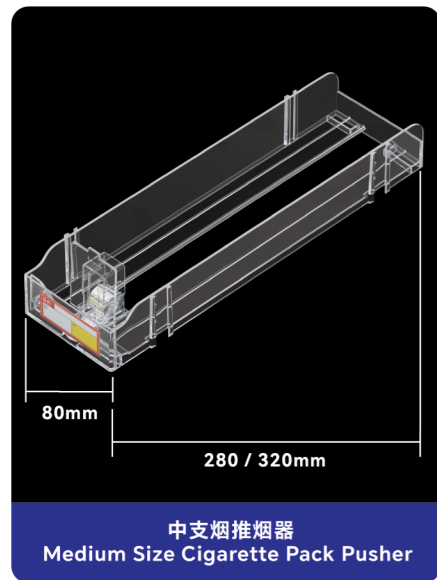
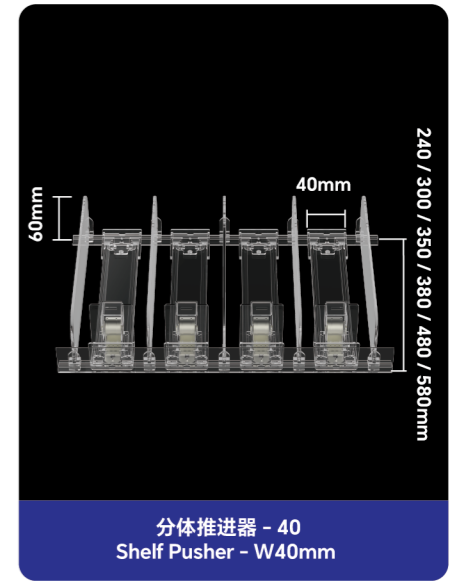
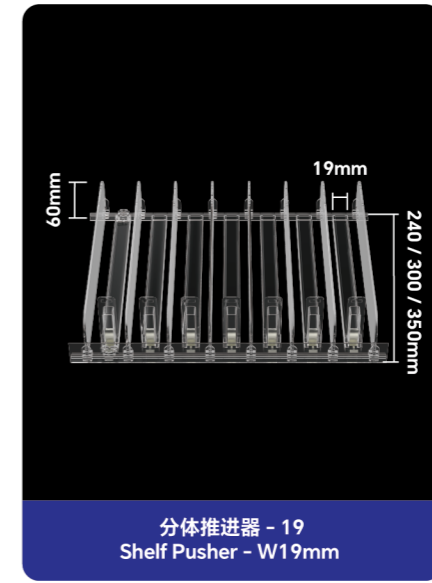
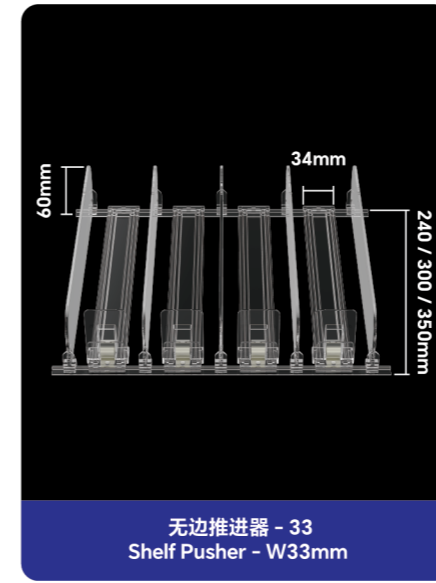
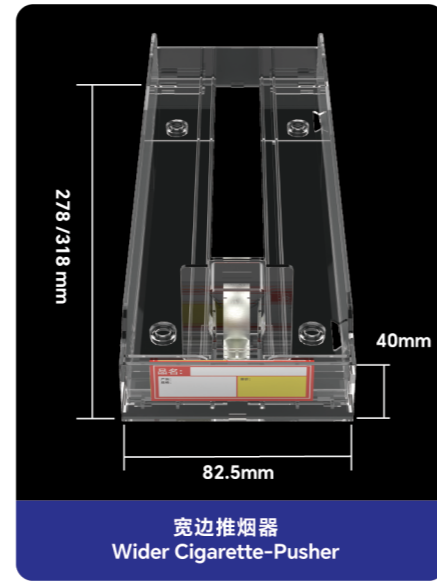
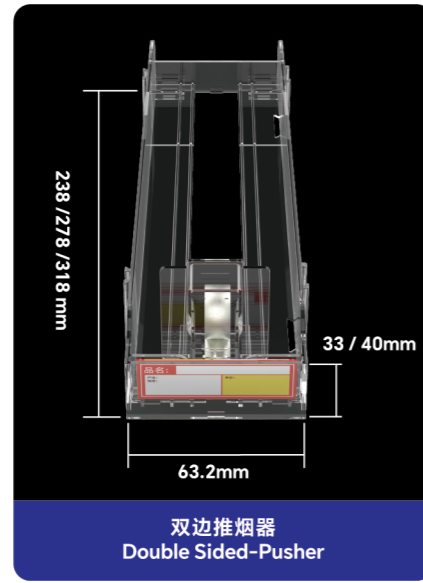
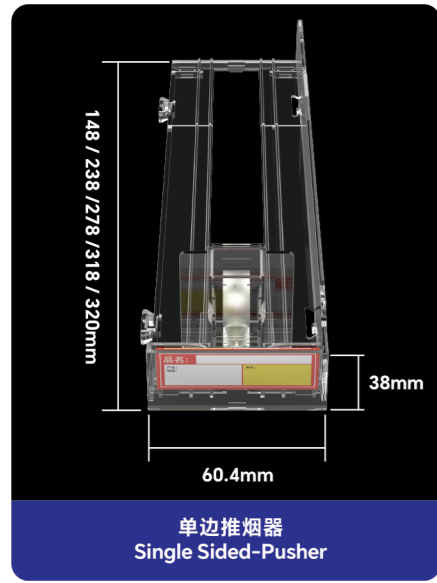
烟架烟柜 / Cigarette Display Racks&Cabinets



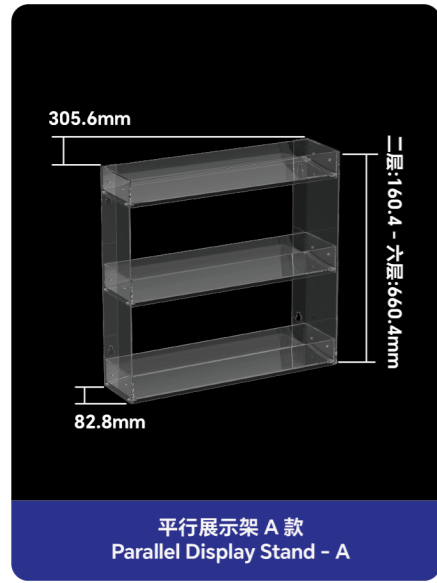
梯形烟架 / Traepzoid Cigarette Display Racks



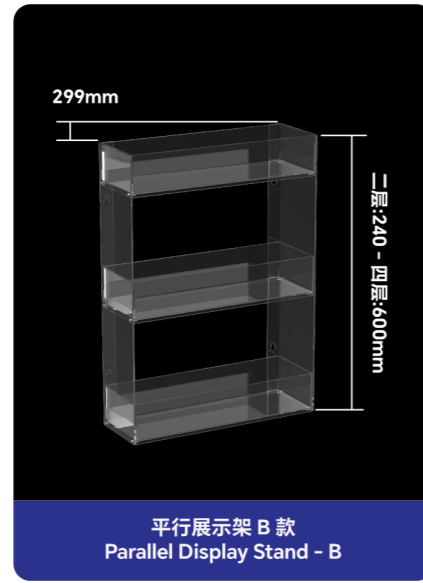
平行烟架 / Parallel Cigarette Display Racks



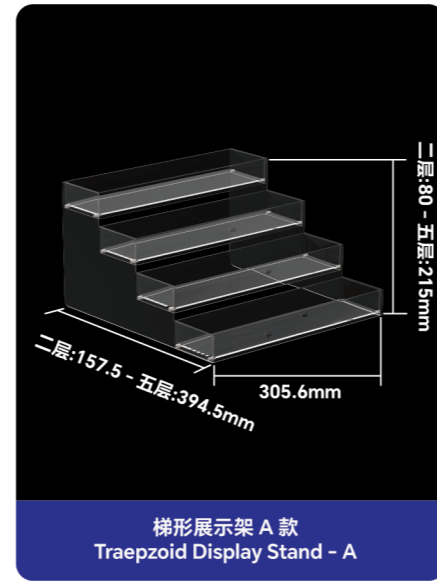
更多新品正在研发中...  
More new products are currently  
in development...



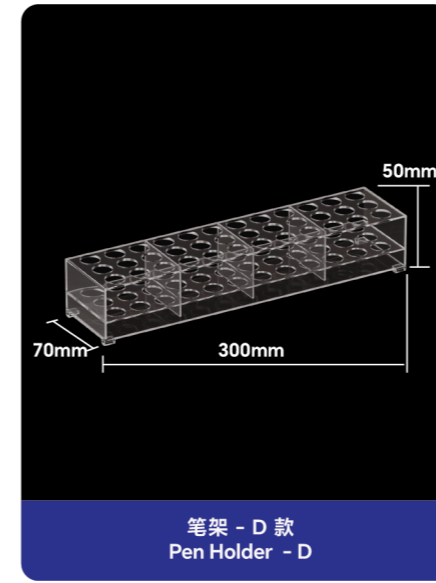
平行展示架 A 款  
Parallel Display Stand - A



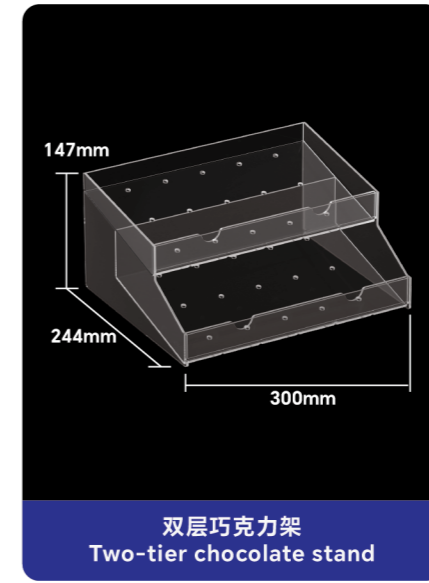
平行展示架 B 款  
Parallel Display Stand - B



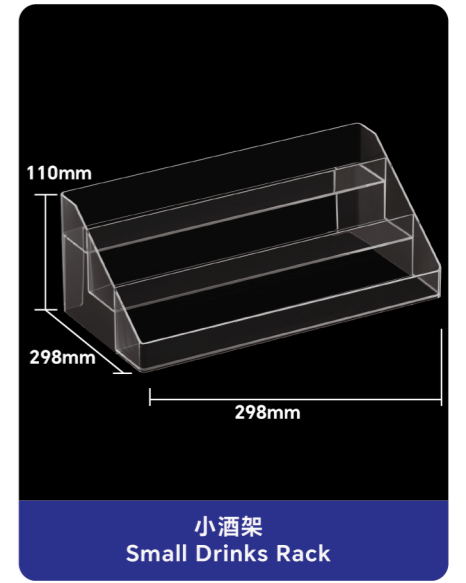
梯形展示架 A 款  
Trapezoid Display Stand - A



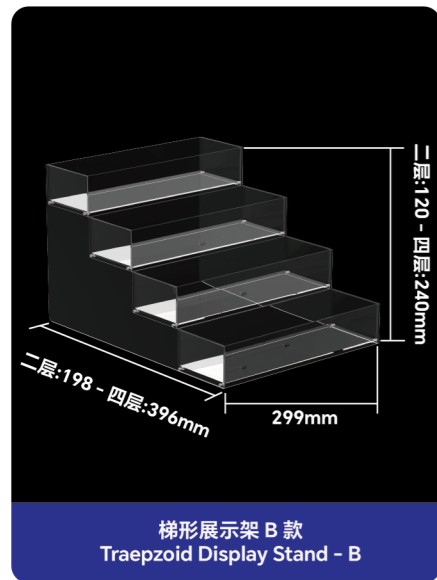
笔架 - D 款  
Pen Holder - D



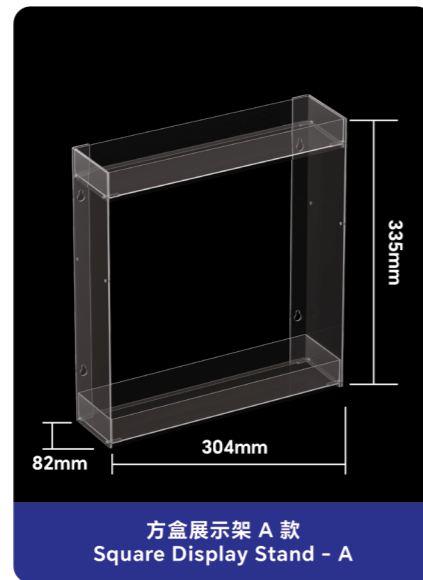
双层巧克力架  
Two-tier chocolate stand



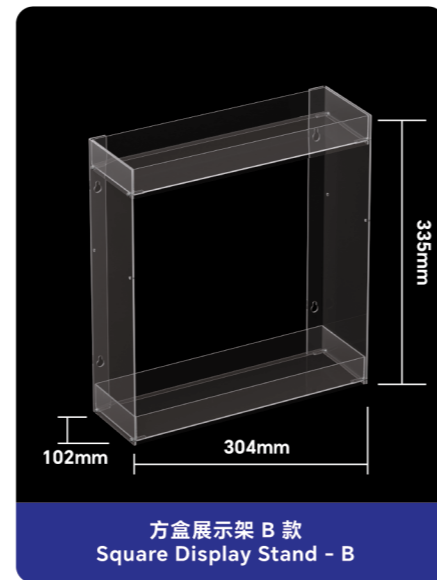
小酒架  
Small Drinks Rack



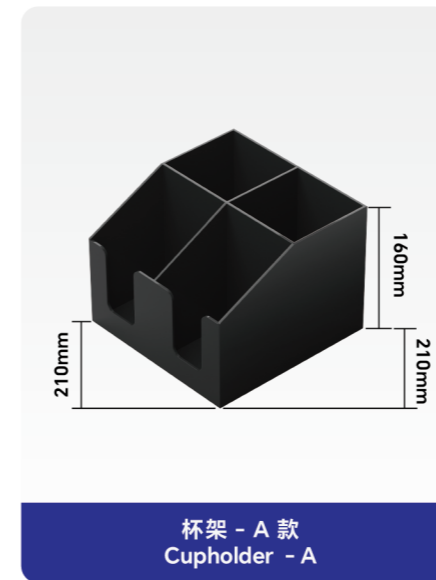
梯形展示架 B 款  
Trapezoid Display Stand - B



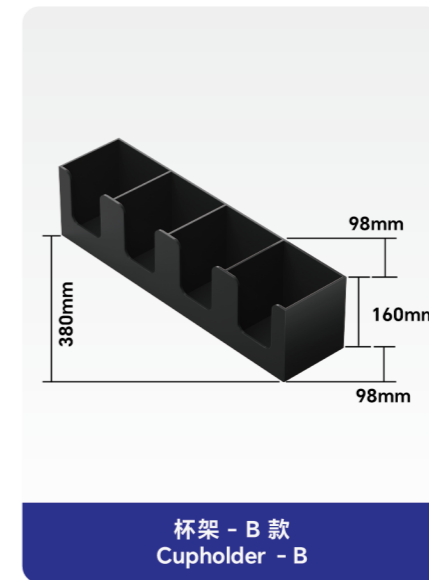
方盒展示架 A 款  
Square Display Stand - A



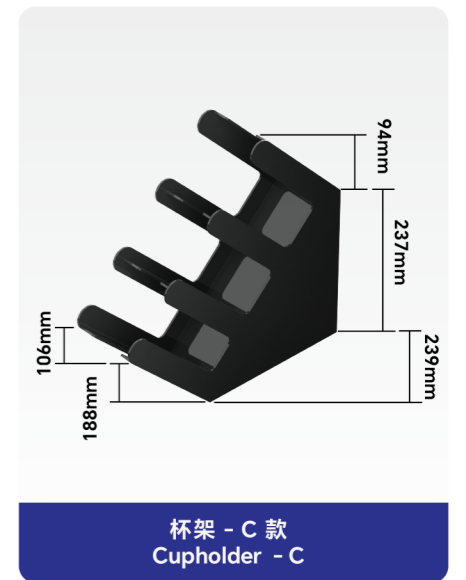
方盒展示架 B 款  
Square Display Stand - B



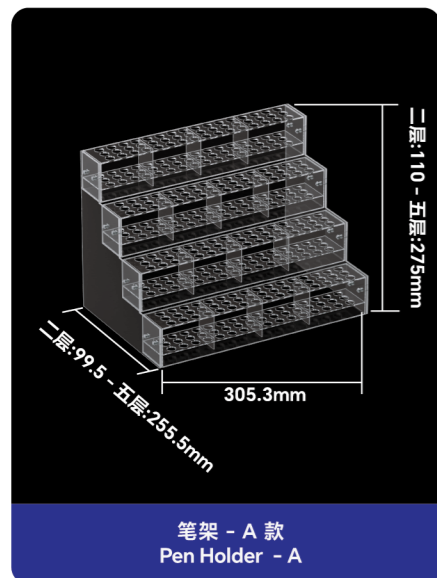
杯架 - A 款  
Cupholder - A



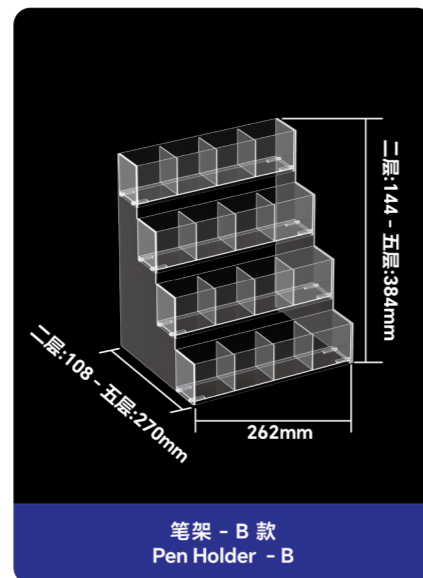
杯架 - B 款  
Cupholder - B



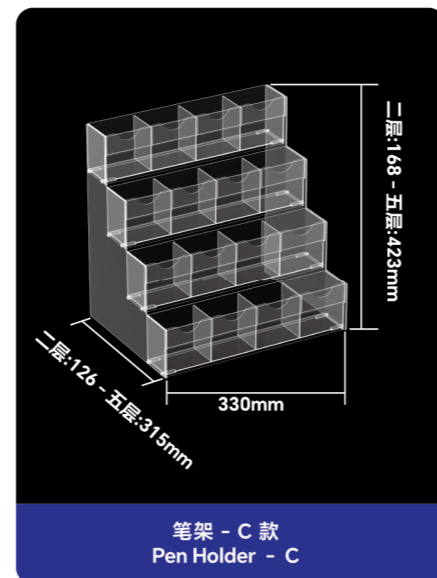
杯架 - C 款  
Cupholder - C



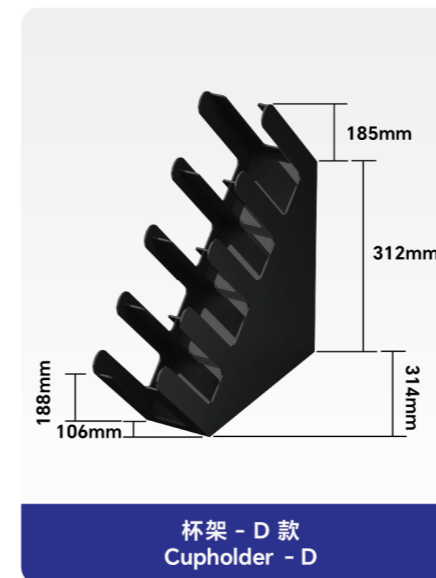
笔架 - A 款  
Pen Holder - A



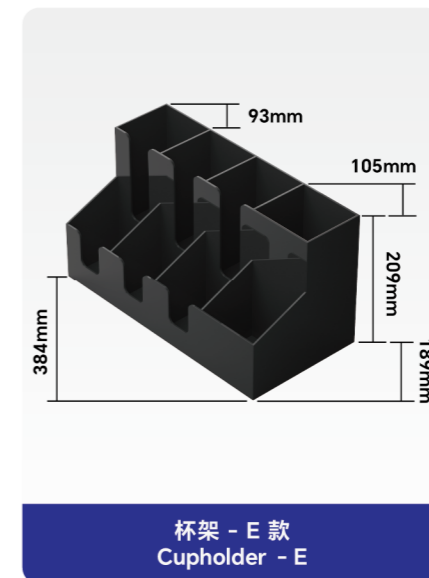
笔架 - B 款  
Pen Holder - B



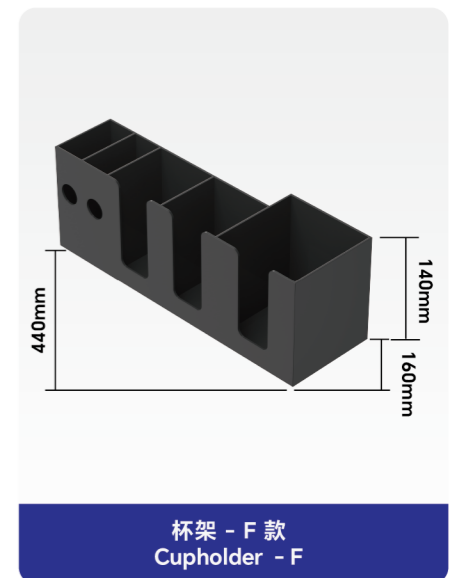
笔架 - C 款  
Pen Holder - C



杯架 - D 款  
Cupholder - D



杯架 - E 款  
Cupholder - E



杯架 - F 款  
Cupholder - F



桌面广告牌  
Desk Top Sign Holder



斜面价格牌  
Slanted Price Sign Holder



平面价格牌  
Flat Price Sign Holder



堆头标签牌  
Pallet Display Sign Holder



粘贴款 - 广告牌  
Adhesive Sign Holder



公示框  
Notice Display Frame



会议牌  
Certificate Frame - Floating Type



机台设备管理牌  
Equipment Management Sign



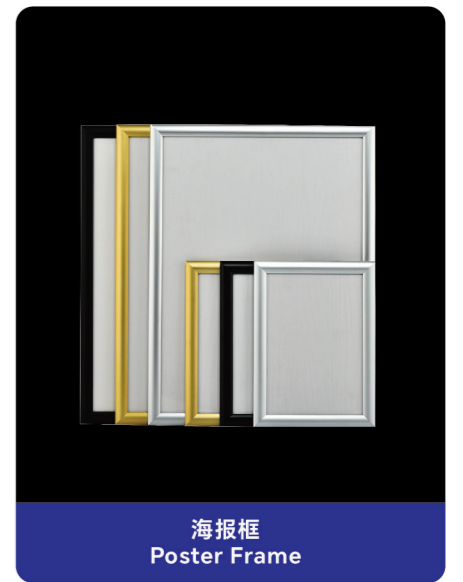
仓储磁吸标识牌  
Warehouse Magnetic Label Holder



T形广告牌  
T-Shape Sign Holder



L形广告牌  
L-Shape Sign Holder



海报框  
Poster Frame



证件框 - 悬浮款  
Certificate Frame - Floating Type



证件框 - 磁吸款  
Certificate Frame - Magnetic Type



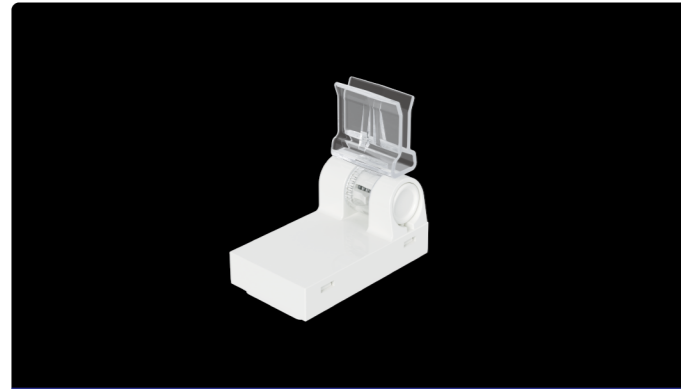
L型磁吸广告牌  
L-Shape Magnetic Sign Holder



立式海报框  
Floor Standing Poster Frame



亚克力广告牌  
Acrylic Sign Holder



磁吸海报夹 - A款 / Magnetic Poster Holder - Model A



磁吸海报夹 - B款 / Magnetic Poster Holder - Model B



磁吸海报夹 - C款 / Magnetic Poster Holder - Model C



磁吸海报夹 - D款 / Magnetic Poster Holder - Model D



磁吸海报夹 - E款 / Magnetic Poster Holder - Model E



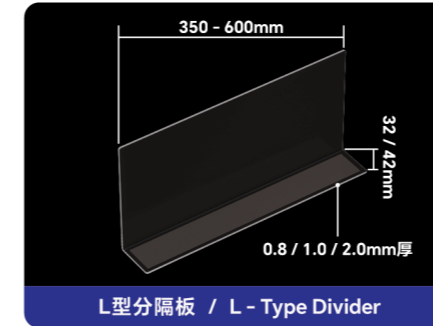
磁吸海报夹 - G款 / Magnetic Poster Holder - Model G



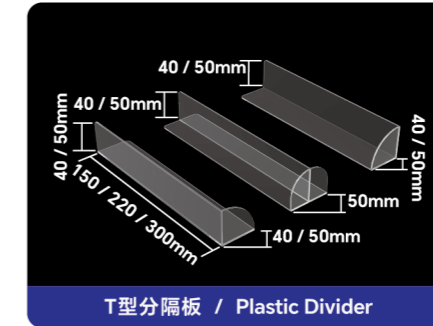
磁吸海报夹 - H款 / Magnetic Poster Holder - Model H



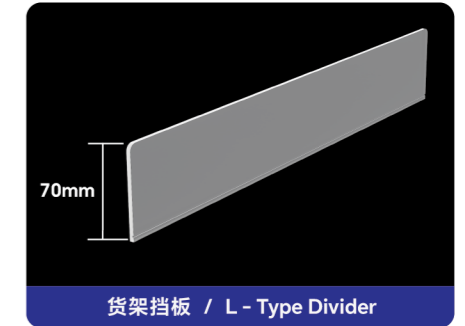
磁吸海报夹 - J款 / Magnetic Poster Holder - Model J



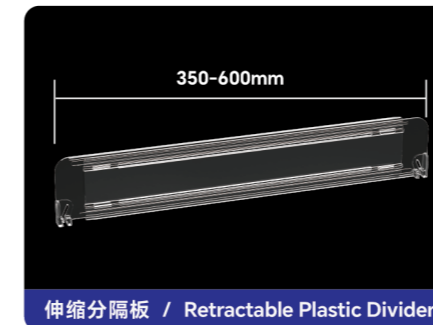
L型分隔板 / L-Type Divider



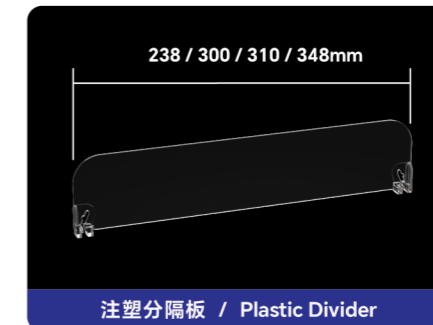
T型分隔板 / Plastic Divider



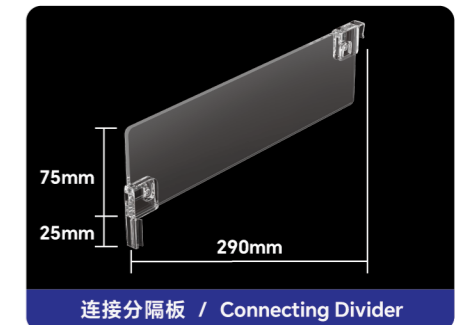
货架挡板 / L-Type Divider



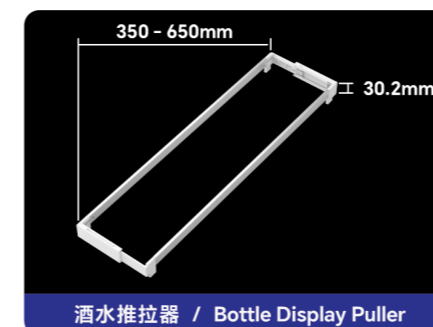
伸缩分隔板 / Retractable Plastic Divider



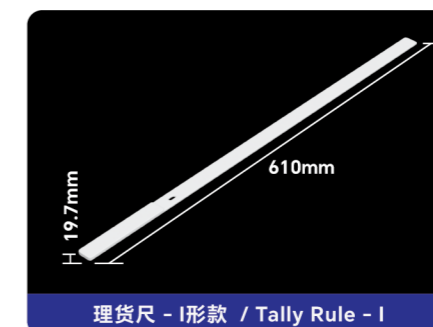
注塑分隔板 / Plastic Divider



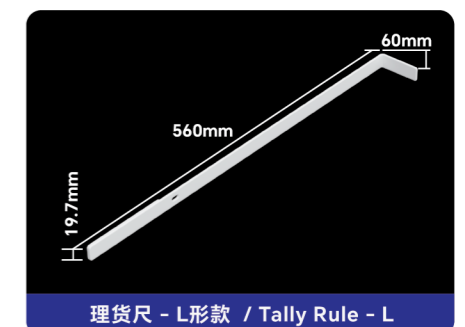
连接分隔板 / Connecting Divider



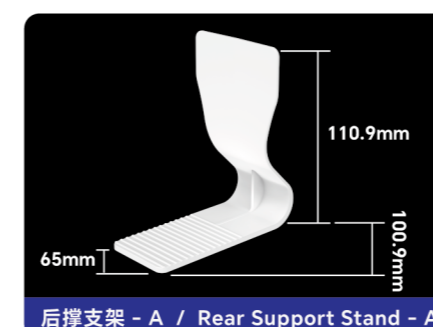
酒水推拉器 / Bottle Display Puller



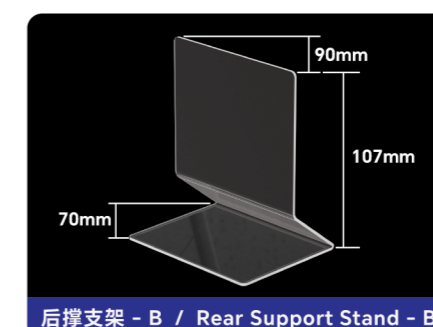
理货尺 - I形款 / Tally Rule - I



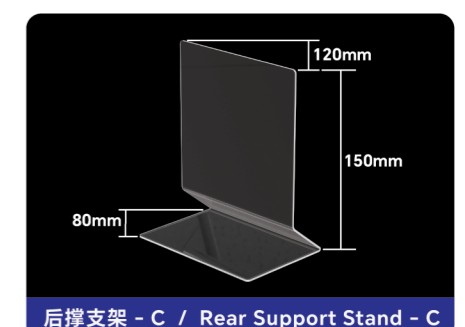
理货尺 - L形款 / Tally Rule - L



后撑支架 - A / Rear Support Stand - A



后撑支架 - B / Rear Support Stand - B



后撑支架 - C / Rear Support Stand - C



防倒架 / Adjustable Wire Divider

